



SAFARI CLUB
INTERNATIONAL
Method 14
Entry Form
For elephant tusks

Animal _____ Date Taken _____
Month / Day / Year

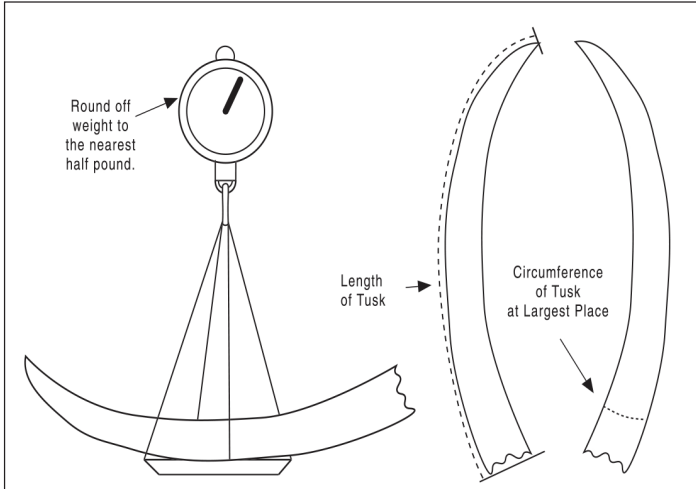
Remeasurement? Yes No Former Score _____ Record No. _____
 Rifle Handgun Muzzleloader Bow Crossbow Shotgun
 Airgun - Bullet or Shaft (circle one) Pickup

Place Taken _____
Country _____ State or Province _____

Locality _____
(GMU, Mtn Range, Ranch, City, Town)

Guide _____

Hunting Co. _____



I. Weight of Tusk L _____ /2 lb. R _____ /2 lb.

II. Total Score

_____ /2 lb.

Hunter _____
How you want your name to appear in the Record Book

Membership No. _____ Phone _____

E-mail _____

Address _____

Anonymous Submission - Members who choose "Anonymous Submission" will have their Record Book ID number replace their name in the Record Book.

I certify that, to the best of my knowledge, I took this animal without violating the wildlife laws or ethical hunting practices of the country or province in which I hunted. I also certify that, to the best of my knowledge, the laws of my country have not been violated by my taking or importing this animal.

Free-Range or Estate (REQUIRED)

SIGNATURE (REQUIRED) _____

Under 22 years of age check here.

The acceptance or denial of all entries are at the discretion of Safari Club International, its Board and committees. Entries are subject to review by the Record Book Committee or SCI at any time. All photos and Record Book entries submitted to SCI become SCI Property and it is impermissible to use or copy a photo from any SCI Record Book without the express written consent of Safari Club International.

Methuselah Entry Yes No Age: _____

Supplemental Information	
Length of Tusk	
L _____ inches	R _____ inches
Circumference of Tusk at Largest Place	
L _____ inches	R _____ inches

Submit to: Safari Club International 4800 W. Gates Pass Rd., Tucson, AZ 85745 USA

Active SCI Membership Required to submit an entry

- 1st Entry Free (only for members who have never submitted an entry)
- \$35 R.B. Entry Fee
- \$45 R.B. Entry Fee & Photo Upload to the Record Book
- \$95 R.B. Entry Fee and Medallion Plaque
- \$105 R.B. Entry Fee, Medallion Plaque & Photo Upload
- \$155 R.B. Entry Fee, Photo Medallion Plaque & Photo Upload

New & Renewal Membership	Domestic / International
<input type="checkbox"/> 1 Year Membership	\$65 / \$90
<input type="checkbox"/> 3 Year Membership	\$150 / \$225
<input type="checkbox"/> 1 Year Youth Membership	\$25
<input type="checkbox"/> 3 Year Youth Membership	\$75
<input type="checkbox"/> 5 Year Youth Membership	\$125

For acceptance into the Record Book:

ALL ENTRIES MUST BE COMPLETE, SIGNED, ACCOMPANIED BY FEES AND A FIELD PHOTOGRAPH (additional photos required for antlered game that clearly show all tines).

Donate to the SCI Record Book Wildlife Conservation & Anti-Poaching Fund \$ _____

Card Number _____ Expiration Date _____
US Currency only. Credit Cards Preferred

Measurer _____

Date Measured _____ Measurer No. _____
Month / Day / Year

E-mail _____

Signature _____