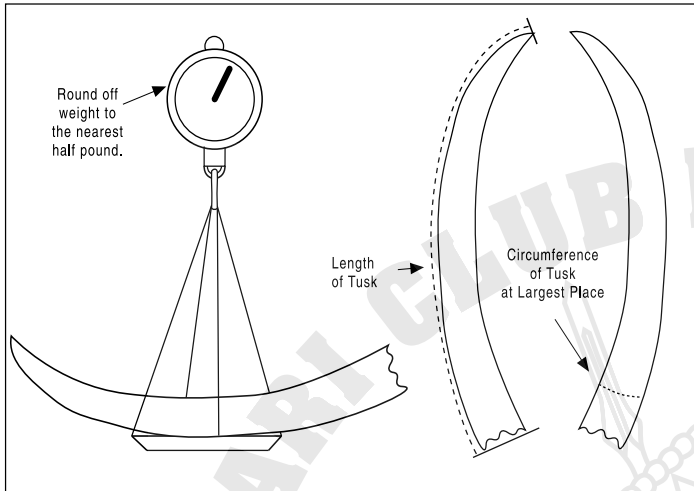




SAFARI CLUB INTERNATIONAL

METHOD 14 ENTRY FORM

For elephant tusks



Animal _____

Remeasurement? Yes No Former Score _____ Record No. _____

Date Taken _____
Month / Day / Year

Rifle Handgun Muzzleloader Bow Crossbow Picked Up

Place Taken _____
Country _____ State or Province _____

Locality _____
(GMU, Mtn Range, Ranch, City, Town)

Guide _____ Hunting Co. _____

Hunter _____
How you want your name to appear in the Record Book

Membership No. _____ Phone _____

E-mail _____

Address _____

Anonymous Submission - Members who choose "Anonymous Submission" will have their Record Book ID number replace their name in the Record Book.

I certify that, to the best of my knowledge, I took this animal without violating the wildlife laws or ethical hunting practices of the country or province in which I hunted. I also certify that, to the best of my knowledge, the laws of my country have not been violated by my taking or importing this animal.

Free-ranging Yes No (REQUIRED)

Signature _____

The acceptance or denial of all entries are at the discretion of Safari Club International, its Board and committees. Entries are subject to review by the Record Book Committee or SCI at any time. All photos and Record Book entries submitted to SCI become SCI Property and it is impermissible to use or copy a photo from any SCI Record Book without the express written consent of Safari Club International.

I. Weight of Tusk L _____ /2 lb. R _____ /2 lb.

II. Total Score _____ /2 lb.

Supplemental Information

Length of Tusk

L _____ inches R _____ inches

Circumference of Tusk at Largest Place

L _____ inches R _____ inches

Submit to: Safari Club International 4800 W. Gates Pass Rd., Tucson, AZ 85745 USA

Active SCI Membership Required to submit an entry

- 1st Entry Free (only for members who have never submitted an entry)
- \$35 R.B. Entry Fee
- \$45 R.B. Entry Fee & photo upload to the Online Record Book
- \$80 R.B. Entry Fee and Medallion Plaque
- \$90 R.B. Entry Fee, Medallion Plaque & Photo Upload
- \$135 R.B. Entry Fee, Photo Medallion Plaque & Photo Upload

New & Renewal Membership

Domestic / International

- 1 Year Membership \$65 / \$90
- 3 Year Membership \$150 / \$225

To enter into Record Book and/or purchase a Medallion Plaque:

- 1) All entries must be complete, signed by hunter and accompanied by fees and photographs of the trophy.
- 2) Field photos must be submitted in order to process the entry.
 - For animals with branched antlers: include enough photos so that all tines are clearly visible
- 3) Clearly label back of photo with hunter's name, species name, and date taken

Donate to the SCI Record Book Wildlife Conservation & Anti-Poaching Fund \$ _____

We Accept: MC Visa AMX Discover Diners Club

Card Number _____ Expiration Date _____
US Currency only. Credit Cards Preferred

Measurer _____

Date Measured _____ Measurer No. _____
Month / Day / Year

E-mail _____

Signature _____